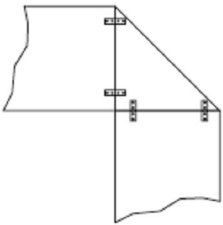
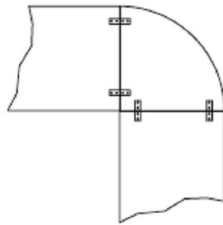
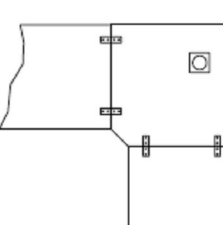
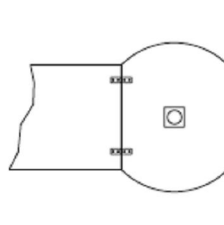
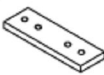
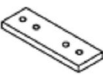
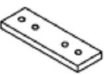
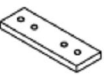







<p>WE 90 BE 90</p> 	<p>WE 91 TE 90 LE 91</p> 	<p>WT 12 LT 12</p> 	<p>WA 80 LA 80 LA 60</p> 
<p>4 x (A)</p> 	<p>4 x (A)</p> 	<p>4 x (A)</p> 	<p>2 x (A)</p> 
<p>16 x (B)</p> 	<p>16 x (B)</p> 	<p>20 x (B)</p> 	<p>12 x (B)</p> 
		<p>1 x (C)</p> 	<p>1 x (C)</p> 